

INTERNATIONAL STANDARD B IS-T, AS-1 & DS-1 DOWNHILL DEVICE

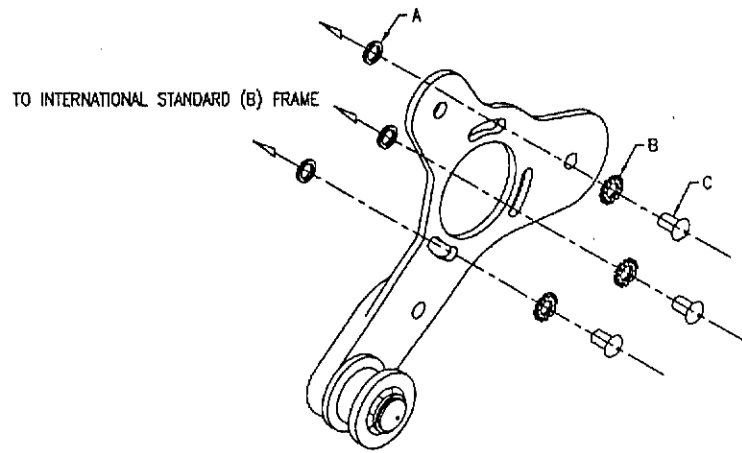


DIAGRAM A

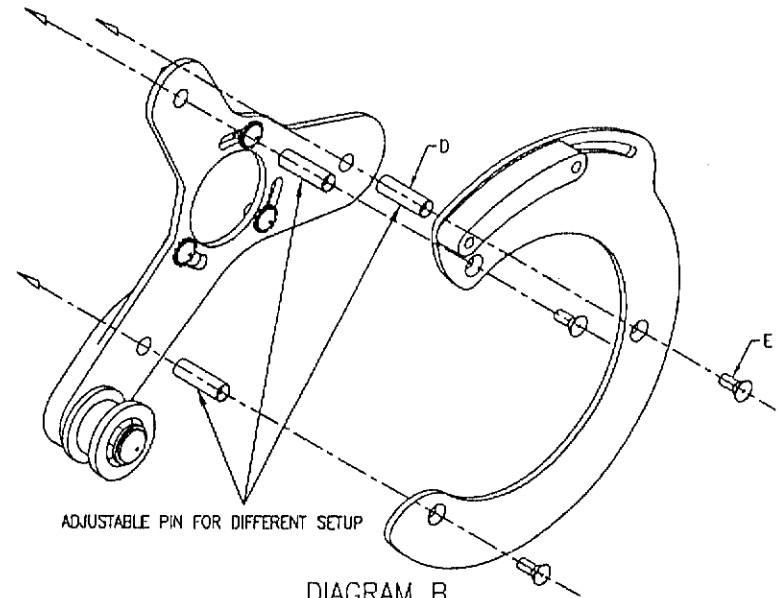
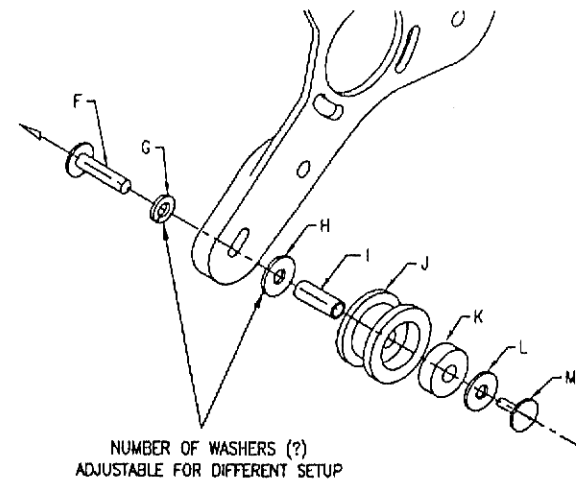


DIAGRAM B

- (A)= 3 X 1.5mm SPACER WASHER
- (B)= 3 X SERRATED WASHER
- (C)= 3 X M6X1X10mm BUTTON HEAD CAP SCREW
- (D)= 3 X PIN ALEX
- (E)= 3 X 10-32 1/2" FLAT HEAD CAP SCREW
- (F)= 1 X AXEL BOLT
- (G)= 1/4" LOCK WASHER
- (H)= 6mm FLAT WASHER
- (I)= 1 X SPACER AXEL
- (J)= 1 X PLASTIC ROLLER
- (K)= 1 X 608 BEARING
- (L)= 1 X 6mm FLAT WASHER
- (M)= 1 X AXEL NUT



NUMBER OF WASHERS (?)
ADJUSTABLE FOR DIFFERENT SETUP

DIAGRAM C